

Application:

Vaporgard series incandescent luminaires are used:

- indoors or outdoors in industrial locations where enclosed and gasketed fixtures are required
- in tunnels, building entrances and similar locations, where moisture, dirt, chemicals, vibration or rough usage are a problem
- for flush or surface mounting on ceiling or wall; pendant or in conduit systems; with or without a cast outlet box

Features:

- Designed to exclude dirt, moisture and corrosive vapors from the interior of the luminaires and the conduit system
- There are no screws to remove as the shock-absorbing socket strap is keyhole slotted and removes quickly for ease of wiring
- The glass globe-guard assembly is installed and/or removed as a unit, making it necessary to handle only one piece in relamping
- There are no crevices to accumulate a dirt or dust buildup and fixture has an attractive finish with a smooth, dust and dirt shedding design
- Configured glass globe has vertical fluting and stippled bottom which provides for more even light distribution and glare elimination
- For non-hazardous locations, shatterproof plastic polycarbonate globes are available for use with the 200 watt series.
- Reversible offset socket mounting strap permits use of various size lamps while holding light center in same position for maximum light output and efficiency
- Shock absorbing medium base lamp socket

Krydon® fiberglass-reinforced polyester reflectors

- Reflectance is equivalent to the finest porcelain enamel
- Cannot corrode – no enamel to chip and rust
- Ultraviolet inhibitors are incorporated in the material to prevent discoloration and brittleness

Standard Materials:

- Bodies and guards – copper-free aluminum
- Globes
 - heat and impact resistant tempered glass
 - colored glass nontempered (G55, G56, G57, G58)
 - plastic polycarbonate (G63, G65, G67)
- Reflectors – Krydon® fiberglass-reinforced polyester

Standard Finishes:

- Bodies and guards – epoxy powder coat
- Krydon material – high reflectance white

Options:

The following options are available from the factory by adding suffix to fixture Cat. No.:

Description	Suffix to be Added to Cat. No.:
• Teflon coating on globe for increased shatter protection (G24 globe 200 watt series only)	S808
• 250V nameplate for export applications	/250
• Plastic polycarbonate globe	See page 696

Ratings (Electrical/Size):

- Up to 300 watt, PS-30 medium base lamp
- 1/2" to 1-1/4" hubs
- 120V nameplate is standard – for NEC compliance
- 250V nameplate is optional. Supplied when ordered with suffix: /250

Certifications and Compliances:

- Wet locations
- NEC/CEC: Class I, Division 2
- UL Standard: 1598
- CSA Standard: C22.2 No. 9
- UL/CSA Fixture Fitting



Class I, Division 2 Temperature Performance Data: (Based on 40° C ambient)

Lamp Watts	T-Number	Supply Wire °C
150	T2A	150°C
200	T2B	200°C
300	T2B	150°C

1L

VAPORGARD™ Incandescent Luminaires

Enclosed and Gasketed

Cl. I, Div. 2, Groups A,B,C,D
Wet Locations
NEMA 3,3R



Pendant Mount - VDA Series



Hub Size	Series	Max Lamp Size	Complete Cat.# with globe/guard
1/2"	150	150 watt	VDA15GP✓
3/4"	150	A-21	VDA25GP✓
1"	150		VDA35GP✓
1/2"	200	200 watt	VDA12GP✓
3/4"	200	A-23	VDA22GP✓
1"	200		VDA32GP✓
1/2"	300	300 watt	VDA13GP✓
3/4"	300	PS-25 & PS-30	VDA23GP✓
1"	300		VDA33GP✓

Luminaire Components Catalog Nos.

Pendant Body	Globe	Guard
VDA15✓	G54✓	P50✓
VDA25✓	G54✓	P50✓
VDA35✓	G54✓	P50✓
VDA12✓	G24✓	P21✓
VDA22✓	G24✓	P21✓
VDA32✓	G24✓	P21✓
VDA13✓	G34/G251✓	P22✓
VDA23✓	G34/G251✓	P22✓
VDA33✓	G34/G251✓	P22✓

Thru-Feed - VDC Series



Hub Size	Series	Max Lamp Size	Complete Cat.# with globe/guard
1/2"	150	150 watt	VDC15GP✓
3/4"	150	A-21	VDC25GP✓
1/2"	200	200 watt	VDC12GP✓
3/4"	200	A-23	VDC22GP✓
1/2"	300	300 watt	VDC13GP✓
3/4"	300	PS-25 & PS-30	VDC23GP✓

Thru Feed Body	Globe	Guard
VDC15✓	G54✓	P50✓
VDC25✓	G54✓	P50✓
VDC12✓	G24✓	P21✓
VDC22✓	G24✓	P21✓
VDC13✓	G34/G251✓	P22✓
VDC23✓	G34/G251✓	P22✓

Ceiling Mount for Recessed 4" Round Box - VXH Series



Hub Size	Series	Max Lamp Size	Complete Cat.# with globe/guard
1/2"	150	150 watt A-21	VXH15GP✓
1/2"	200	200 watt A-23	VXH12GP✓
1/2"	300	300 watt PS-25 & PS-30	VXH13GP✓

Lamp Socket Body	Globe	Guard
VXH15✓	G54✓	P50✓
VXH12✓	G24✓	P21✓
VXH13✓	G34/G251✓	P22✓

Ceiling Mount with Junction Box - VXHF Series



Hub Size	Series	Max Lamp Size	Complete Cat.# with globe/guard
1/2"	150	150 watt	VXHF15GP✓
3/4"	150	A-21	VXHF25GP✓
1/2"	200	200 watt	VXHF12GP✓
3/4"	200	A-23	VXHF22GP✓
1/2"	300	300 watt	VXHF23GP✓
3/4"	300	PS-25 & PS-30	VXHF23GP✓

Lamp Socket Body	Globe	Guard	Junction Box
VXH15✓	G54✓	P50✓	VXF10✓
VXH15✓	G54✓	P50✓	VXF20✓
VXH12✓	G24✓	P21✓	VXF10✓
VXH12✓	G24✓	P21✓	VXF20✓
VXH13✓	G54/G251✓	P22✓	VXF20✓
VXH13✓	G34/G251✓	P22✓	VXF20✓

✓ - available with Lightning Service™
See Section G for complete details

Incandescent Fixtures



VAPORGARD™ Incandescent Luminaires

Enclosed and Gasketed

Cl. I, Div. 2, Groups A,B,C,D
Wet Locations
NEMA 3,3R

1L



Wall Mount - VXHT Series



Hub Size	Series	Max Lamp Size	Complete Cat. # with globe/guard
1/2"	150	150 watt	VXHT15GP✓
3/4"	150	A-21	VXHT25GP✓
1/2"	200	200 watt	VXHT12GP✓
3/4"	200	A-23	VXHT22GP✓
1/2"	300	300 watt	VXHT13GP✓
3/4"	300	PS-25 & PS-30	VXHT23GP✓

Luminaire Components Catalog Nos.

Wall Bracket Mounting Module	Body	Globe	Guard
VXT10✓	VXH15✓	G54✓	P50✓
VXT20✓	VXH15✓	G54✓	P50✓
VXT10✓	VXH12✓	G24✓	P21✓
VXT20✓	VXH12✓	G24✓	P21✓
VXT10✓	VXH13✓	G34/G251✓	P22✓
VXT20✓	VXH13✓	G34/G251✓	P22✓

Wall Mount - Adapter Kit

Mounts wall mount VXHT Series
to a 4" Round Box.
Cat. No. VXT-K1

Wall Mount with Junction Box VXHBF Series



Hub Size	Series	Max Lamp Size	Complete Cat. # with globe/guard
1/2"	150	150 watt	VXHBF15GP✓
3/4"	150	A-21	VXHBF25GP✓
1/2"	200	200 watt	VXHBF12GP✓
3/4"	200	A-23	VXHBF22GP✓
1/2"	300	300 watt	VXHBF13GP✓
3/4"	300	PS-25 & PS-30	VXHBF23GP✓

Wall Bracket Mounting Module	Body	Globe	Guard	Junction Box
VXT10✓	VXH15✓	G54✓	P50✓	VXF10✓
VXT20✓	VXH15✓	G54✓	P50✓	VXF20✓
VXT10✓	VXH12✓	G24✓	P21✓	VXF10✓
VXT20✓	VXH12✓	G24✓	P21✓	VXF20✓
VXT10✓	VXH13✓	G34/G251✓	P22✓	VXF10✓
VXT20✓	VXH13✓	G34/G251✓	P22✓	VXF20✓

Stanchion Mount - VXHA Series



Hub Size	Series	Max Lamp Size	Complete Cat. # with globe/guard
1 1/4"		150 watt A-21	VXHA45GP✓
1 1/4"		200 watt A-23	VXHA42GP✓
1 1/4"		300 watt PS-25 & PS-30	VXHA43GP✓

Stanchion Mounting Module	Body	Globe	Guard
VXA4✓	VXH15✓	G54✓	P50✓
VXA4✓	VXH12✓	G24✓	P21✓
VXA4✓	VXH13✓	G34/G251✓	P22✓

✓ – available with Lightning Service™
See Section G for complete details

1L
Incandescent
Fixtures



**Medium Base
Lamp Receptacle
with Strap
Shock Absorbing**

Cat. #
V84✓



Reflectors



Dome



30° Angle

Max. Lamp Size	Dome Cat. #	30° Angle Cat. #
150 watt, A-21	RD64✓	RA64✓
200 watt, A-23, A-25, PS-25 and 300 watt, PS-30	RD71✓	RA71✓

Hub Size	Cat. #
1/2	VXFT10✓
3/4	VXFT20✓



VXFT - 5 Hubs, 4 Plugs

Hub Size	Cat. #
1/2	VXFT10✓
3/4	VXFT20✓

For use when rear wiring entry is required. Use in lieu of VXF10 or VXF20.

✓ - available with Lightning Service™
See Section G for complete details

Globes† and Guards



150 and 200W globe



300W globe

Maximum Lamp Size		
150 Watt, A-21	200 Watt, A-23, A-25, PS-25	300 Watt, PS-25 PS-30‡

Color	Cat. #	Cat. #	Cat. #
Clear (heat-resisting)	G54✓	G24 ◆ ✓	{ G34✓ G251✓
Green	G55*✓	G25	
Blue	G56*✓	G26	
Red	G57*✓	G27	
Amber	G58*✓	G28	



Guard P50 and P21



Guard P22

Guards for Glass Globes (Not for use with plastic globes)

Cat. #	Maximum Lamp Size
P50✓	150 watt, A-21
P21✓	200 watt, A-23, A-25, PS-25
P22✓	300 watt, PS-30 (with G251 only)

Mounting Adapter Kit

• Allows for the mounting of non-Crouse-Hinds outlet boxes to the VXT20 wall mount bracket and VXH ceiling mount bracket
Cat. #
VXT-K1

Plastic Globes ①



Shatterproof polycarbonate plastic globe**

Application:

For use in:
• food processing plants and canneries, dairies, breweries and bakeries
• emergency lighting

Features:

- Shatterproof, which precludes contamination of food products with broken particles of glass.
- Designed to comply with U.S. Dept. of Agriculture specification for food processing plants.
- Provides protection against vandalism, with resultant lower replacement and maintenance costs.
- Particularly adaptable for use on emergency police or fire alarm boxes.
- Same size as G24 series glass globes. Existing installations can be changed to plastic globes simply by replacing globe.
- For use with 200 watt series luminaires such as VDA22, etc.
- For use without guard.

Color	Max. Wattage, Lamp Size	Cat. #
Natural	200 watt, A-23	G63 ✓
Green	200 watt, A-23	G65
Red	200 watt, A-23	G67

Note: Polycarbonate globes for non-hazardous locations only.



VXT-K1

◆ G24 is available with a TEFLON® coating for increased shatter protection by adding suffix S808.

* With G55, G56, G57, G58 color globes, maximum lamp size is 60 watt for outdoor applications.

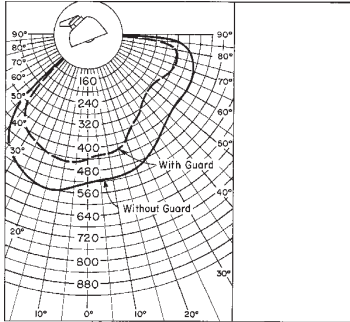
** Prior to wash-down, globes must be cool.

† All glass globes are configured type, having fluted side and stippled bottom.

‡ Globe G251 required when guard P22 is used. Use globe G34 when guard is not used.

① Lamp must be mounted in vertical position base up to 45°C (stanchion) only.

Luminaire VXHA45GPRA
Lamp: 150W/A-21
Total Bare Lamp Lumens: 2850

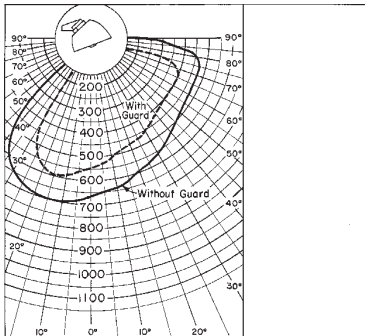


Measurements taken from A-A' plane.



	Total Lumens	Eff. %
With Guard	1490	52.3
Without Guard	1881	66.0

Luminaire VXHA42GPRA
Lamp: 300W/PS-30
Total Bare Lamp Lumens: 6300



Measurements taken from A-A' plane.

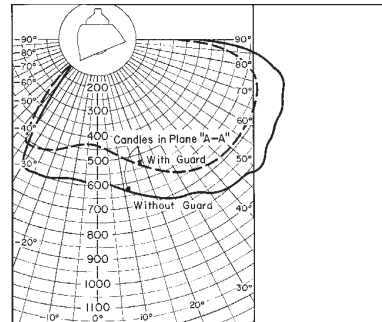


	Total Lumens	Eff. %
With Guard	3630	57.6
Without Guard	4271	67.8

Luminaire With Globe, 30° Angle Reflector and With or Without Guard

Lamp: 100W/A-21 through 200W/A-23
Total Bare Lamp Lumens: 4000

NOTE: All data provided is for 200W/A-23 incandescent lamp. Use following candlepower/lumen multipliers for other lamp sizes: 100W 0.42; 150W 0.7



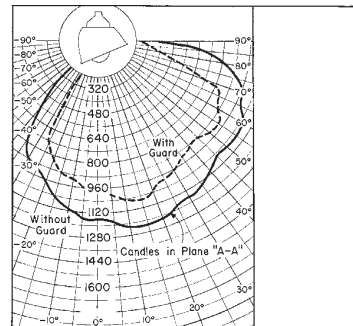
Measurements taken from A-A' plane.



Lamp Size	Without Guard		With Guard	
	Total Lumens	Eff. %	Total Lumens	Eff. %
100W	1141		949	
150W	1890		1582	
200W/A-23	2700	67.5	2260	56.5
200W/PS-25	2174		1819	

Luminaire With Globe, 30° Angle Reflector and With or Without Guard

Lamp: 300W/PS-30
Total Bare Lamp Lumens: 6000



Measurements taken from A-A' plane.



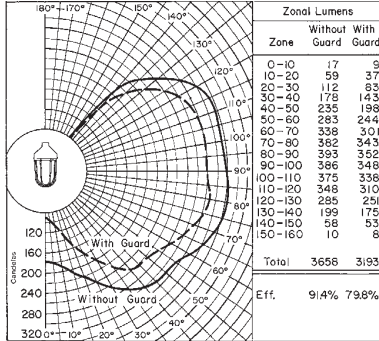
	Total Lumens	Eff. %
With Guard	3360	56.0
Without Guard	3954	65.9

Lamp: 100W/A-21 through 200W/PS-25
Total Bare Lamp Lumens: 4000

To determine number and placement of luminaires see Lighting Selector Guide, pages 665 to 689.

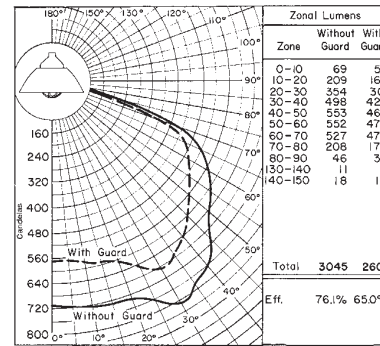
NOTE: All data provided is for 200W/A-23 incandescent lamp. Use following candela/lumen multipliers for other lamp sizes: 100W 0.42; 150W 0.7; 200W/PS-25 0.82

Luminaire With Globe and With or Without Guard



Example: Zonal Lumens for 200W/A-23 lamp with guard for 0-40° is 272 Zonal Lumens for 150W lamp with guard for 0-40° is 272 x 0.7 = 190.

Luminaire With Globe, Dome Reflector and With or Without Guard



Example: Zonal Lumens for 200W/A-23 lamp with guard for 0-40° is 948 Zonal Lumens for 150W lamp with guard for 0-40° is 948 x 0.7 = 664.

Coefficient of Utilization

Effective Floor Cavity Reflectance 20%

% Reflectance	Room Cavity Ratio	Eff. Ceil. Wall				
		1	2	3	4	5
80	50	.654	.549	.471	.407	.353
	30	.608	.486	.400	.333	.282
	10	.567	.432	.345	.277	.228
70	50	.603	.506	.434	.375	.326
	30	.563	.449	.370	.309	.260
	10	.523	.401	.320	.257	.211
50	50	.509	.424	.363	.312	.273
	30	.477	.380	.313	.260	.220
	10	.449	.341	.271	.218	.179
30	50	.422	.349	.297	.255	.223
	30	.399	.315	.259	.214	.180
	10	.376	.285	.225	.180	.147
10	50	.343	.280	.237	.202	.176
	30	.324	.253	.206	.170	.142
	10	.307	.230	.180	.143	.115
80	50	.315	.279	.249	.226	.201
	30	.244	.210	.183	.162	.140
	10	.193	.164	.137	.118	.100
70	50	.289	.257	.230	.208	.185
	30	.225	.194	.170	.150	.130
	10	.177	.150	.127	.110	.093
50	50	.242	.215	.192	.175	.156
	30	.189	.163	.143	.126	.109
	10	.150	.126	.106	.092	.077
30	50	.198	.175	.158	.143	.128
	30	.155	.134	.116	.103	.088
	10	.123	.102	.086	.075	.061
10	50	.157	.140	.124	.114	.101
	30	.122	.106	.091	.080	.068
	10	.096	.080	.066	.057	.045

Coefficient of Utilization

Effective Floor Cavity Reflectance 20%

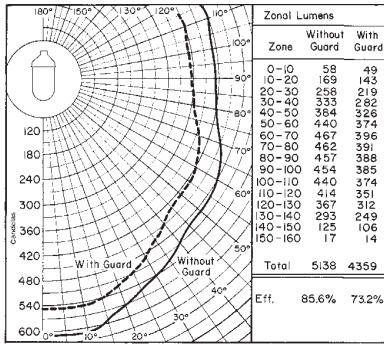
% Reflectance	Room Cavity Ratio	Eff. Ceil. Wall				
		1	2	3	4	5
80	50	.604	.522	.454	.395	.347
	30	.576	.480	.404	.340	.290
	10	.552	.444	.364	.298	.248
70	50	.591	.512	.445	.387	.339
	30	.565	.472	.398	.336	.286
	10	.543	.440	.361	.296	.246
50	50	.564	.490	.428	.372	.327
	30	.544	.457	.387	.327	.280
	10	.526	.428	.354	.292	.245
30	50	.541	.470	.411	.358	.315
	30	.525	.444	.377	.319	.273
	10	.509	.419	.348	.288	.241
10	50	.521	.452	.396	.345	.304
	30	.507	.429	.367	.311	.268
	10	.494	.409	.342	.283	.238
80	50	.309	.274	.244	.222	.193
	30	.253	.220	.192	.170	.142
	10	.214	.184	.155	.135	.110
70	50	.303	.270	.241	.219	.189
	30	.250	.217	.191	.168	.142
	10	.211	.181	.154	.135	.110
50	50	.291	.260	.232	.211	.184
	30	.245	.212	.186	.166	.139
	10	.209	.179	.153	.134	.109
30	50	.281	.250	.225	.204	.178
	30	.239	.209	.182	.162	.136
	10	.207	.177	.152	.133	.107
10	50	.272	.243	.217	.198	.173
	30	.234	.205	.179	.159	.134
	10	.205	.175	.150	.131	.106

Lamp: 300W/PS-30

Total Bare Lamp Lumens: 6000

To determine number and placement of luminaires, see Lighting Selector Guide, pages 665 to 689.

Luminaire With Globe Only

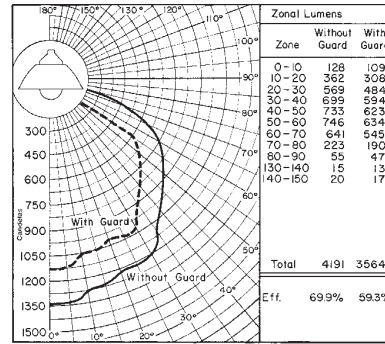


Coefficient of Utilization

Effective Floor Cavity Reflectance 20%

% Reflectance	Room Cavity Ratio	% Reflectance					
		Eff. Ceil.	Wall	1	2	3	
80	1	50	.692	.582	.499	.431	.373
	30	30	.644	.515	.425	.354	.300
	10	10	.602	.459	.367	.295	.243
70	1	50	.636	.534	.458	.396	.345
	30	30	.594	.475	.392	.327	.276
	10	10	.552	.425	.339	.273	.223
50	1	50	.532	.444	.380	.327	.286
	30	30	.500	.398	.328	.272	.230
	10	10	.470	.358	.285	.229	.188
30	1	50	.437	.362	.308	.264	.230
	30	30	.412	.326	.268	.222	.186
	10	10	.389	.295	.234	.186	.152
10	1	50	.350	.285	.241	.205	.179
	30	30	.331	.258	.210	.172	.144
	10	10	.313	.235	.183	.145	.116
% Reflectance	Room Cavity Ratio	% Reflectance					
		Eff. Ceil.	Wall	6	7	8	
80	6	50	.333	.295	.263	.238	.212
	30	30	.258	.223	.194	.170	.147
	10	10	.205	.173	.145	.125	.105
70	6	50	.305	.271	.241	.219	.194
	30	30	.238	.204	.178	.157	.136
	10	10	.188	.158	.133	.115	.097
50	6	50	.253	.224	.200	.181	.162
	30	30	.198	.170	.148	.131	.113
	10	10	.157	.132	.110	.095	.079
30	6	50	.204	.180	.162	.146	.130
	30	30	.160	.138	.119	.105	.090
	10	10	.127	.105	.088	.075	.061
10	6	50	.158	.141	.124	.114	.101
	30	30	.123	.106	.091	.080	.067
	10	10	.096	.079	.066	.055	.044

Luminaire With Globe and Dome Reflector



Coefficient of Utilization

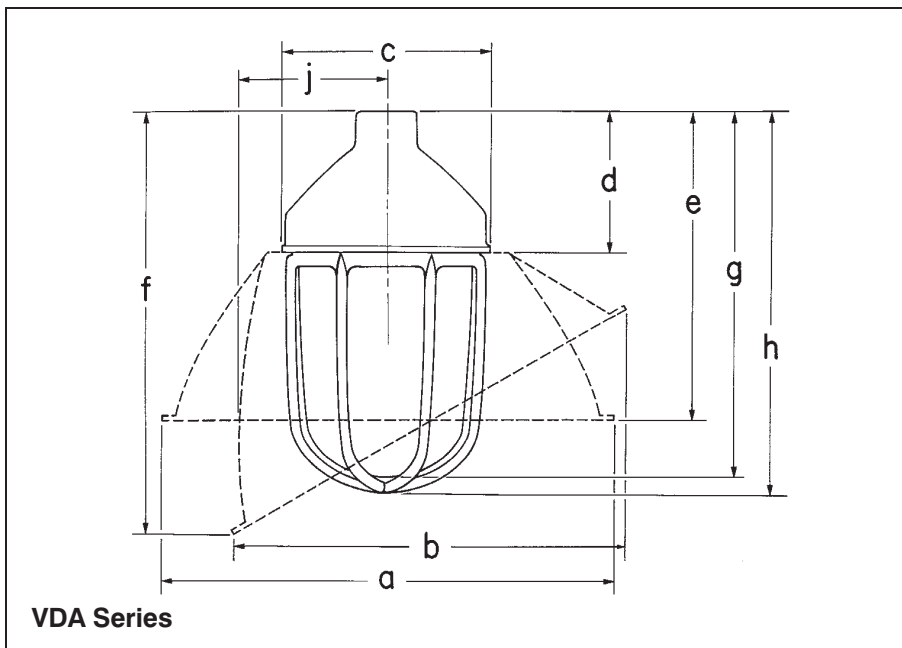
Effective Floor Cavity Reflectance 20%

% Reflectance	Room Cavity Ratio	% Reflectance					
		Eff. Ceil.	Wall	1	2	3	
80	1	50	.766	.671	.587	.514	.454
	30	30	.734	.621	.528	.448	.385
	10	10	.706	.579	.482	.398	.334
70	1	50	.750	.657	.577	.505	.443
	30	30	.720	.610	.521	.444	.380
	10	10	.694	.573	.477	.395	.332
50	1	50	.717	.630	.555	.485	.429
	30	30	.693	.592	.507	.432	.372
	10	10	.672	.558	.468	.390	.329
30	1	50	.688	.606	.535	.468	.414
	30	30	.670	.575	.494	.422	.364
	10	10	.651	.546	.460	.385	.325
10	1	50	.663	.584	.516	.452	.400
	30	30	.647	.557	.482	.412	.357
	10	10	.632	.534	.452	.379	.321
% Reflectance	Room Cavity Ratio	% Reflectance					
		Eff. Ceil.	Wall	6	7	8	
80	6	50	.404	.360	.322	.293	.254
	30	30	.337	.294	.258	.229	.191
	10	10	.289	.250	.212	.185	.151
70	6	50	.397	.354	.317	.288	.249
	30	30	.333	.290	.256	.227	.191
	10	10	.285	.246	.211	.185	.151
50	6	50	.383	.342	.306	.279	.243
	30	30	.326	.284	.250	.223	.187
	10	10	.283	.244	.209	.184	.150
30	6	50	.371	.330	.297	.270	.235
	30	30	.320	.280	.245	.218	.184
	10	10	.281	.241	.208	.182	.148
10	6	50	.359	.322	.288	.262	.229
	30	30	.313	.275	.241	.215	.181
	10	10	.277	.239	.206	.180	.146

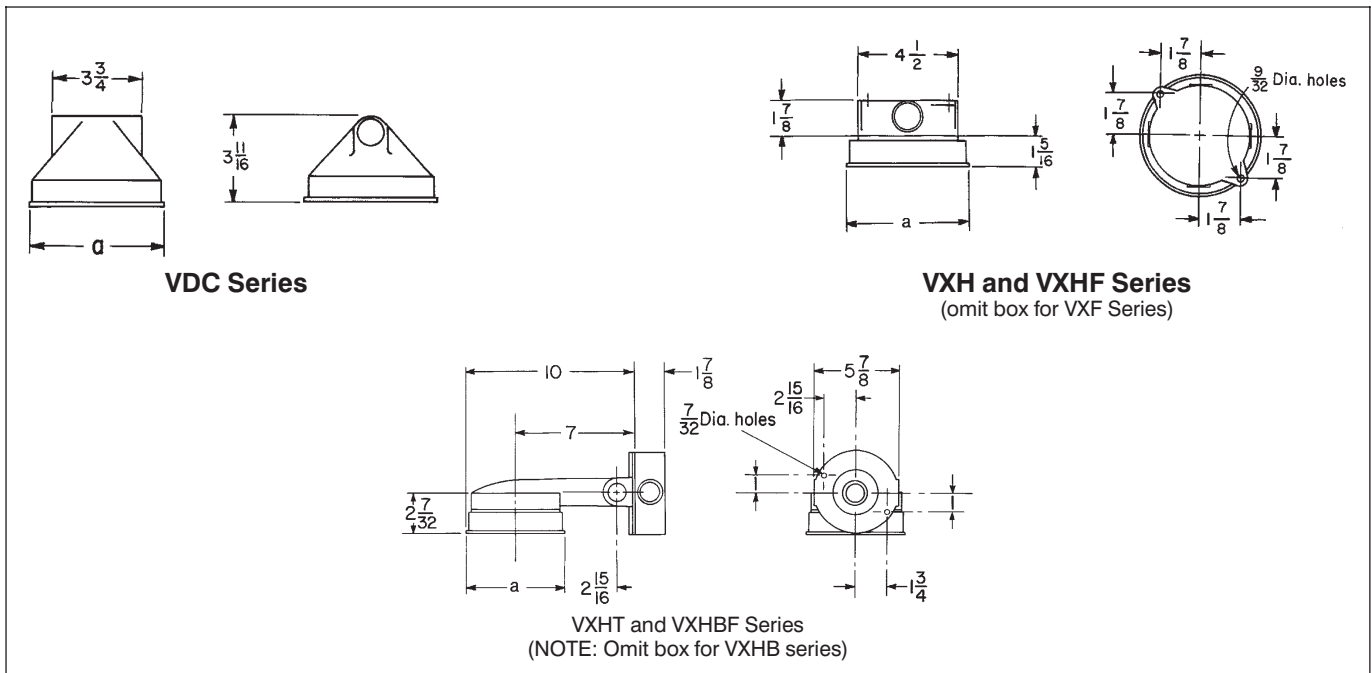
VAPORGARD™ Incandescent Luminaire

1L

Dimensions



	150 watt, A-21	200 watt, PS-25	300 watt, PS-30
a	12 ⁷ / ₈	16 ⁷ / ₈	16 ⁷ / ₈
b	11 ¹ / ₈	14 ⁵ / ₈	14 ⁵ / ₈
c	5 ³ / ₁₆	6	6
d	3 ¹³ / ₁₆	4	4
e	8 ⁷ / ₁₆	9 ¹ / ₈	9 ¹ / ₈
f	12	14	14
g	8 ¹³ / ₁₆	10 ¹ / ₂	12
h	9	10 ¹³ / ₁₆	13 ¹ / ₈
j	4 ¹ / ₂	6 ¹ / ₁₆	6 ¹ / ₁₆



Max. Lamp Size a
150 watt, A-21 5³/₁₆

200 watt, A-23, A-25, PS-25
and 300 watt, PS-30 6