

CROUSE-HINDS® MOLDED PRODUCTS

Cam-Lok® Connectors THREE-FER

**NEW
AND
IMPROVED!**
from Crouse-Hinds

Crouse-Hinds® Cam-Lok connectors introduces the new and improved "J" Power THREE-FER Tapping Tee. The males have been extended to facilitate easy mating with existing E1016 Cam-Lok "J" Power products and distribution boxes. Now available in a molded cable version.

PRODUCT FEATURES:

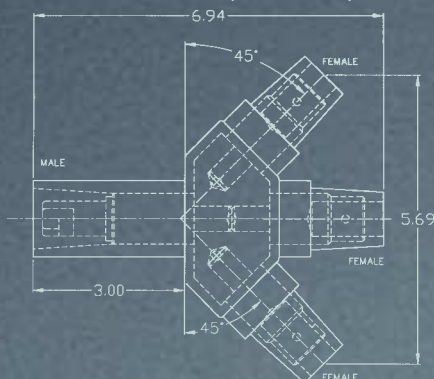
- Meets 1999 National Electrical Code standards for locking-type connectors
- UL Listed and CSA Certified
- Interchangeable with existing "J" Power E1016 products
- Up to 400 Amp maximum rating
- Lay-down configuration for easier installation
- Exclusive Cam-Lok action for high conductivity
- Color-coded insulator to provide fast, easy phase identification
- NEMA 3R rated



PART NUMBER MATRIX:

COLOR	MALE-FE-FE-FE	FEMALE-M-M-M	MOLDED TO CABLE THREE-FER
Black	E1016-9510	E1016-9580	E1016-9529 Black FE-FE-FE ON
Yellow	E1016-9511	E1016-9590	3ft 2/0 Cable
Red	E1016-9512	E1016-9600	E1016-9530 Black FE-FE-FE ON
Orange	E1016-9513	E1016-9610	3ft 4/0 Cable
Green	E1016-9514	E1016-9620	Other variations available upon request
White	E1016-9515	E1016-9630	
Blue	E1016-9516	E1016-9640	
Brown	E1016-9517	E1016-9650	

DIMENSIONS: (in inches)



TECHNICAL SPECIFICATIONS:

Base Compound:	TPE (Santoprene)
Contact Material:	Copper Alloy ASTM B16
Voltage Rating:	600 volt maximum
Amperage Rating:	400 amp maximum

Cam-Lok connectors are only listed when used with genuine Crouse-Hinds Cam-Lok connectors.

COOPER Crouse-Hinds
Solutions. Worldwide.™

CROUSE-HINDS® MOLDED PRODUCTS

Cam-Lok® Connectors Male-to-Male Adaptor

NEW
from Crouse-Hinds

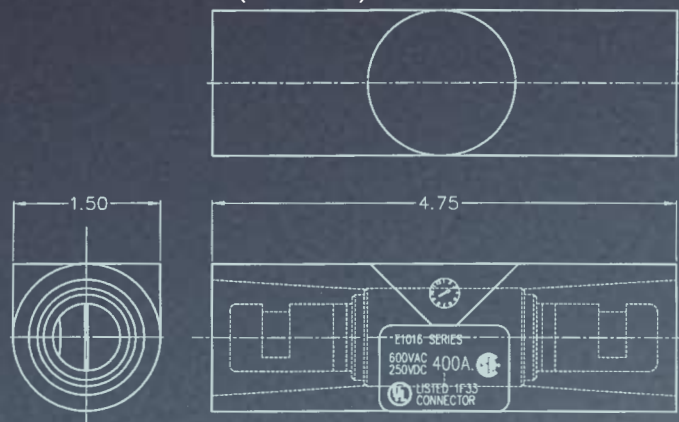
Crouse-Hinds® Cam-Lok connectors introduces the new and improved "J" Power Male-to-Male adaptor specially designed to enhance flexibility for your power distribution applications. This product allows in-line connection between two female Cam-Lok E1016 connectors.



PRODUCT FEATURES:

- Meets 1999 National Electrical Code standards for locking-type connectors
- UL Listed and CSA Certified
- Intermateable with existing "J" Power E1016 products
- Up to 400 Amp maximum rating
- Exclusive Cam-Lok action for high conductivity
- Color-coded insulator to provide fast, easy phase identification
- NEMA 3R rated

DIMENSIONS: (in inches)



TECHNICAL SPECIFICATIONS:

Base Compound:	TPE (Santoprene)
Contact Material:	Copper Alloy ASTM B16
Voltage Rating:	600 volt maximum
Amperage Rating:	400 amp maximum

PART NUMBER MATRIX:

E1016-2382	Black
E1016-2383	Yellow
E1016-2384	Red
E1016-2385	Orange
E1016-2386	Green
E1016-2387	White
E1016-2388	Blue
E1016-2389	Brown

Professionals demand the best and don't accept copies.

Insist on genuine Crouse-Hinds Cam-Lok Connectors. Cam-Lok "J" Power Series Connectors are only listed when used with genuine Cam-Lok Listed Connectors.

For more information:

If further assistance is required, please contact an authorized Crouse-Hinds Distributor, Crouse-Hinds Sales Office or Crouse-Hinds Customer Service Department.

In the U.S.:

Crouse-Hinds Molded Products
4758 Washington Street
LaGrange, NC 28551
(252) 566-3014 FAX: (252) 566-9337

In Canada:

Crouse-Hinds Canada
5925 McLaughlin Road
Mississauga, Ontario
Canada L5R 1B8
(905) 507-4187 FAX: (905) 501-4078

For the latest in new products and services, visit our web site at:
<http://www.crouse-hinds.com>

COOPER Crouse-Hinds
Solutions. Worldwide.™